



GRUNDFOS
ECADEMY

THE GRUNDFOS MAGNA3

ABOUT WET-RUNNER CIRCULATORS

be
think
innovate

GRUNDFOS 

Works by differential pressure

A wet-runner circulator is a type of centrifugal pump.

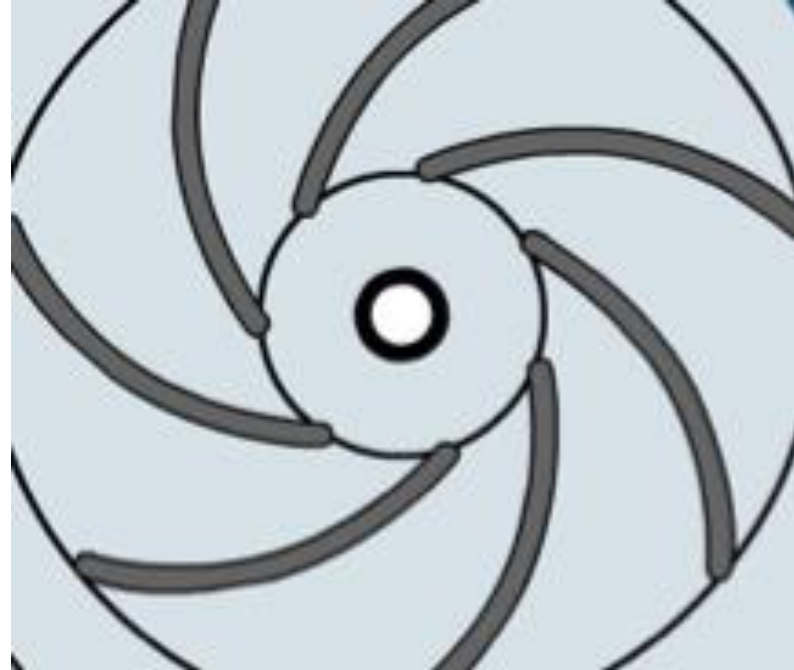
This means that it creates differential pressure between inlet and outlet as the rotating impeller applies centrifugal force to the pumped liquid.

It is this pressure difference that drives liquid through the system.



Liquid enters at the centre

The liquid enters the impeller at the centre – through the impeller eye.



Creates centrifugal force

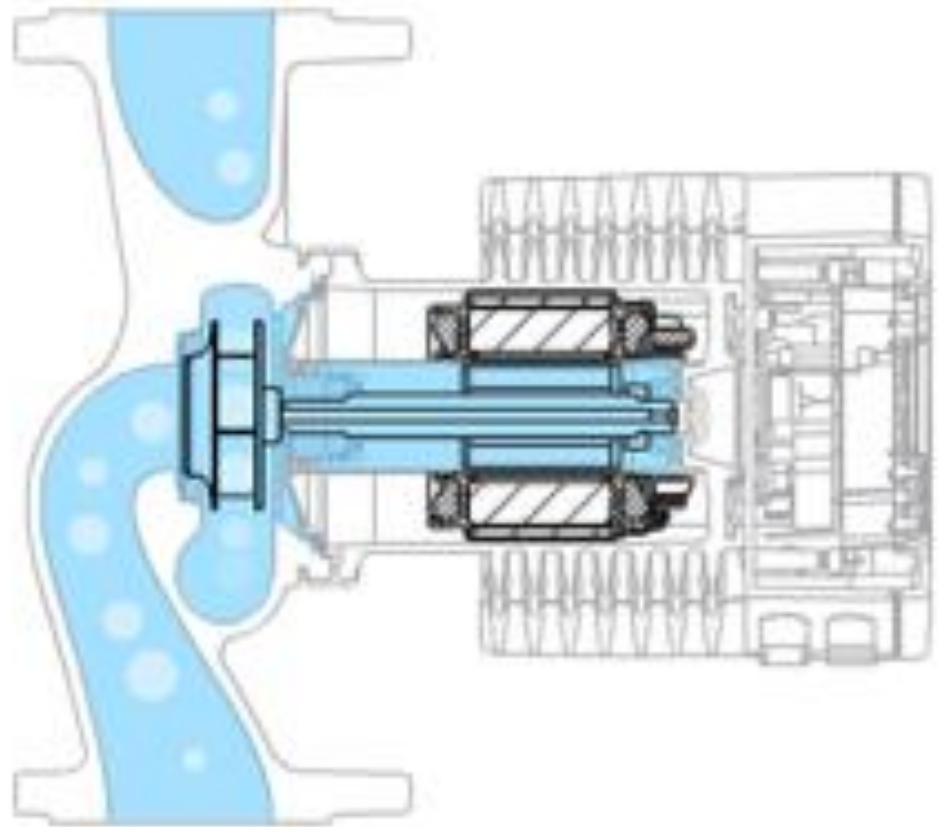
It is then pushed outward along its vanes to create the centrifugal force required to increase liquid velocity and create pressure in the volute.

Note that the centrifugal force runs counter to the impeller's rotational direction.



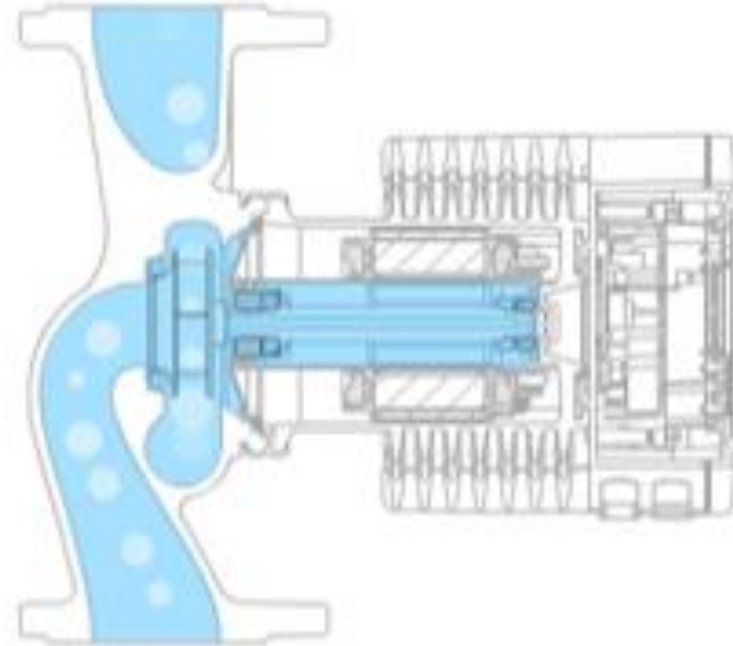
Motor-driven impeller

The impeller itself is usually driven by an electric motor.



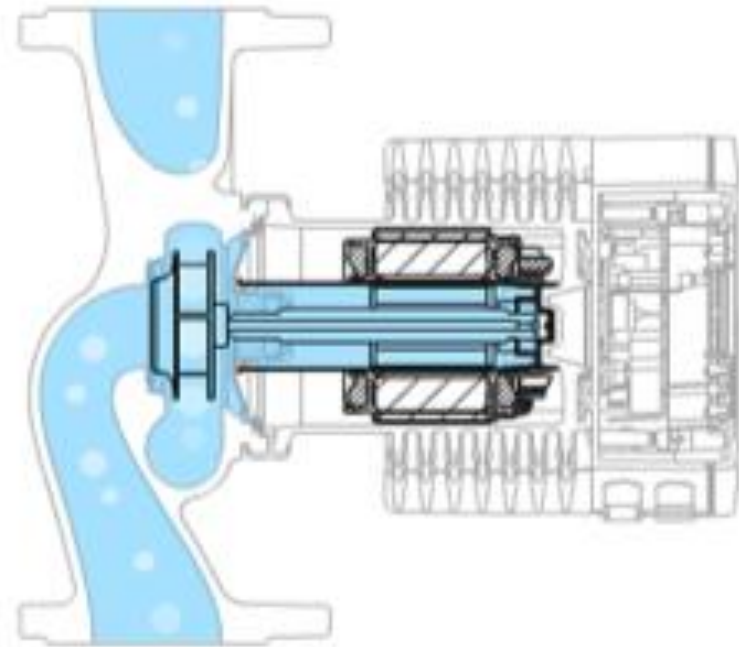
Liquid cooled and lubricated

In a wet runner pump like the MAGNA3, the pumped liquid is used to lubricate bearings and cool the motor.



Separated by rotor can

And this requires the impeller and rotor to be separated from the stator by a rotor can.





GRUNDFOS **ECADEMY**

www.grundfos.com